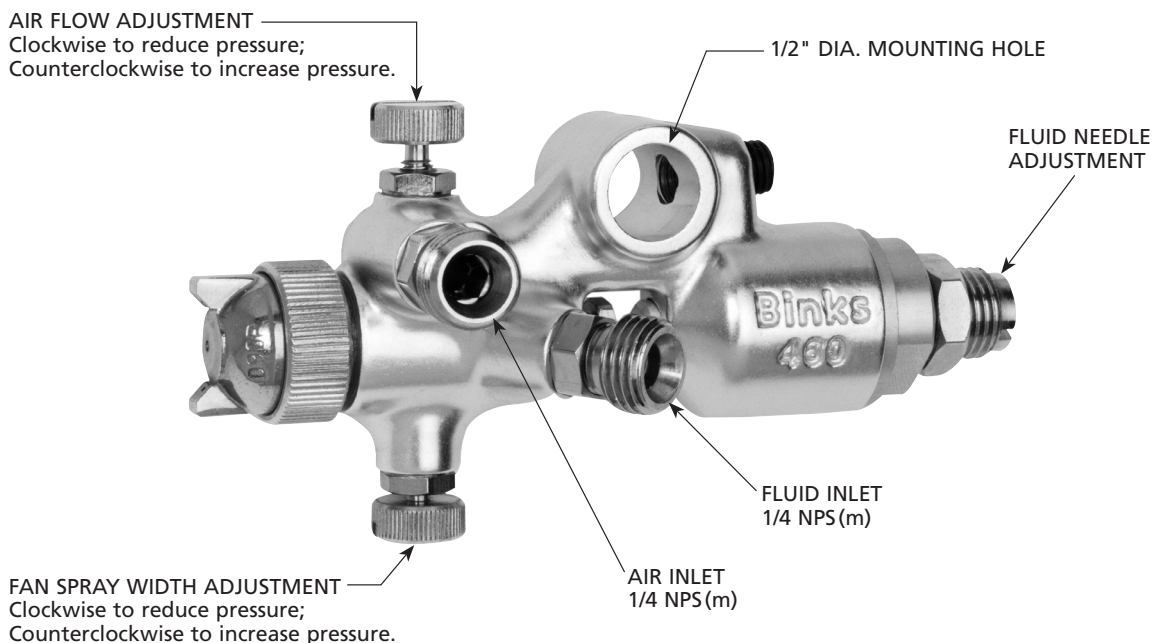


BINKS MODEL 460 LIGHTWEIGHT AUTOMATIC SPRAY GUN

DESCRIPTION

The Binks 460 Automatic Spray Gun is a small precision gun designed with accuracy in mind, for ease of fitting to existing automatic and semi-automatic machine. Its compact dimensions also enable the gun to be installed neatly and at close quarters, where the standard range of automatics cannot be accommodated.

FEATURES

- Aluminum alloy body with brass air nozzle.
- Stainless steel needle valve and springs.
- Both gun operation and spray variation is controlled from a single air supply.
- Control valves for atomization fan and air flow.
- No lag, instant piston controlled "on and off".
- A range of fluid nozzles for applying many liquid coatings.

CA PROP
65

PROP 65 WARNING

WARNING: This product contains chemicals known to the State of California to cause cancer and birth defects or other reproductive harm.

GUN ASSEMBLY ORDERING INFORMATION

6401-1800-5

460 Gun J920SS-J92P with .020" Fluid Nozzle

6401-1900-5

460 Gun J930SS-J92P with .030" Fluid Nozzle

6401-2000-5

460 Gun J940SS-J92P with .040" Fluid Nozzle

6401-2100-8

460 Gun K960SS-K92P with .060" Fluid Nozzle

SPECIFICATIONS:

Max Air Pressure: 100 PSI/6.8 Bar

Min Air Pressure: 50PSI/3.4 Bar

Max Fluid Pressure: 100 PSI/6.8 Bar

Air Volume Requirements: 20 SCFM Max

Gun Body: Aluminum Forging

Fluid Path: Stainless Steel

Fluid Inlet: 1/4" NPS (M)

Air Inlet: 1/4" NPS (M)

Gun Weight: .43 Ibs/.2kg

Gun Mounting Hole: 1/2" Dia.

In this part sheet, the words **WARNING**, **CAUTION** and **NOTE** are used to emphasize important safety information as follows:

WARNING

Hazards or unsafe practices which could result in severe personal injury, death or substantial property damage.

CAUTION

Hazards or unsafe practices which could result in minor personal injury, product or property damage.

NOTE

Important installation, operation or maintenance information.

WARNING

Read the following warnings before using this equipment.



READ THE MANUAL

Before operating finishing equipment, read and understand all safety, operation and maintenance information provided in the operation manual.



OPERATOR TRAINING

All personnel must be trained before operating finishing equipment.



EQUIPMENT MISUSE HAZARD

Equipment misuse can cause the equipment to rupture, malfunction, or start unexpectedly and result in serious injury.



LOCK OUT / TAG-OUT

Failure to de-energize, disconnect, lock out and tag-out all power sources before performing equipment maintenance could cause serious injury or death.



AUTOMATIC EQUIPMENT

Automatic equipment may start suddenly without warning.



PRESSURE RELIEF PROCEDURE

Always follow the pressure relief procedure in the equipment instruction manual.



KEEP EQUIPMENT GUARDS IN PLACE

Do not operate the equipment if the safety devices have been removed.



KNOW WHERE AND HOW TO SHUT OFF THE EQUIPMENT IN CASE OF AN EMERGENCY



WEAR SAFETY GLASSES

Failure to wear safety glasses with side shields could result in serious eye injury or blindness.



INSPECT THE EQUIPMENT DAILY

Inspect the equipment for worn or broken parts on a daily basis. Do not operate the equipment if you are uncertain about its condition.



NEVER MODIFY THE EQUIPMENT

Do not modify the equipment unless the manufacturer provides written approval.



NOISE HAZARD

You may be injured by loud noise. Hearing protection may be required when using this equipment.



PROJECTILE HAZARD

You may be injured by venting liquids or gases that are released under pressure, or flying debris.



PINCH POINT HAZARD

Moving parts can crush and cut. Pinch points are basically any areas where there are moving parts.



STATIC CHARGE

Fluid may develop a static charge that must be dissipated through proper grounding of the equipment, objects to be sprayed and all other electrically conductive objects in the dispensing area. Improper grounding or sparks can cause a hazardous condition and result in fire, explosion or electric shock and other serious injury.



WEAR RESPIRATOR

Toxic fumes can cause serious injury or death if inhaled. Wear a respirator as recommended by the fluid and solvent manufacturer's Material Safety Data Sheet.



TOXIC FLUID & FUMES

Hazardous fluid or toxic fumes can cause serious injury or death if splashed in the eyes or on the skin, inhaled, injected or swallowed. LEARN and KNOW the specific hazards of the fluids you are using.



FIRE AND EXPLOSION HAZARD

Improper equipment grounding, poor ventilation, open flame or sparks can cause a hazardous condition and result in fire or explosion and serious injury.



MEDICAL ALERT

Any injury caused by high pressure liquid can be serious. If you are injured or even suspect an injury:

- Go to an emergency room immediately.
- Tell the doctor you suspect an injection injury.
- Show the doctor this medical information or the medical alert card provided with your airless spray equipment.
- Tell the doctor what kind of fluid you were spraying or dispensing.



GET IMMEDIATE MEDICAL ATTENTION

To prevent contact with the fluid, please note the following:

- Never point the gun/valve at anyone or any part of the body.
- Never put hand or fingers over the spray tip.
- Never attempt to stop or deflect fluid leaks with your hand, body, glove or rag.
- Always have the tip guard on the spray gun before spraying.
- Always ensure that the gun trigger safety operates before spraying.



CA PROP
65

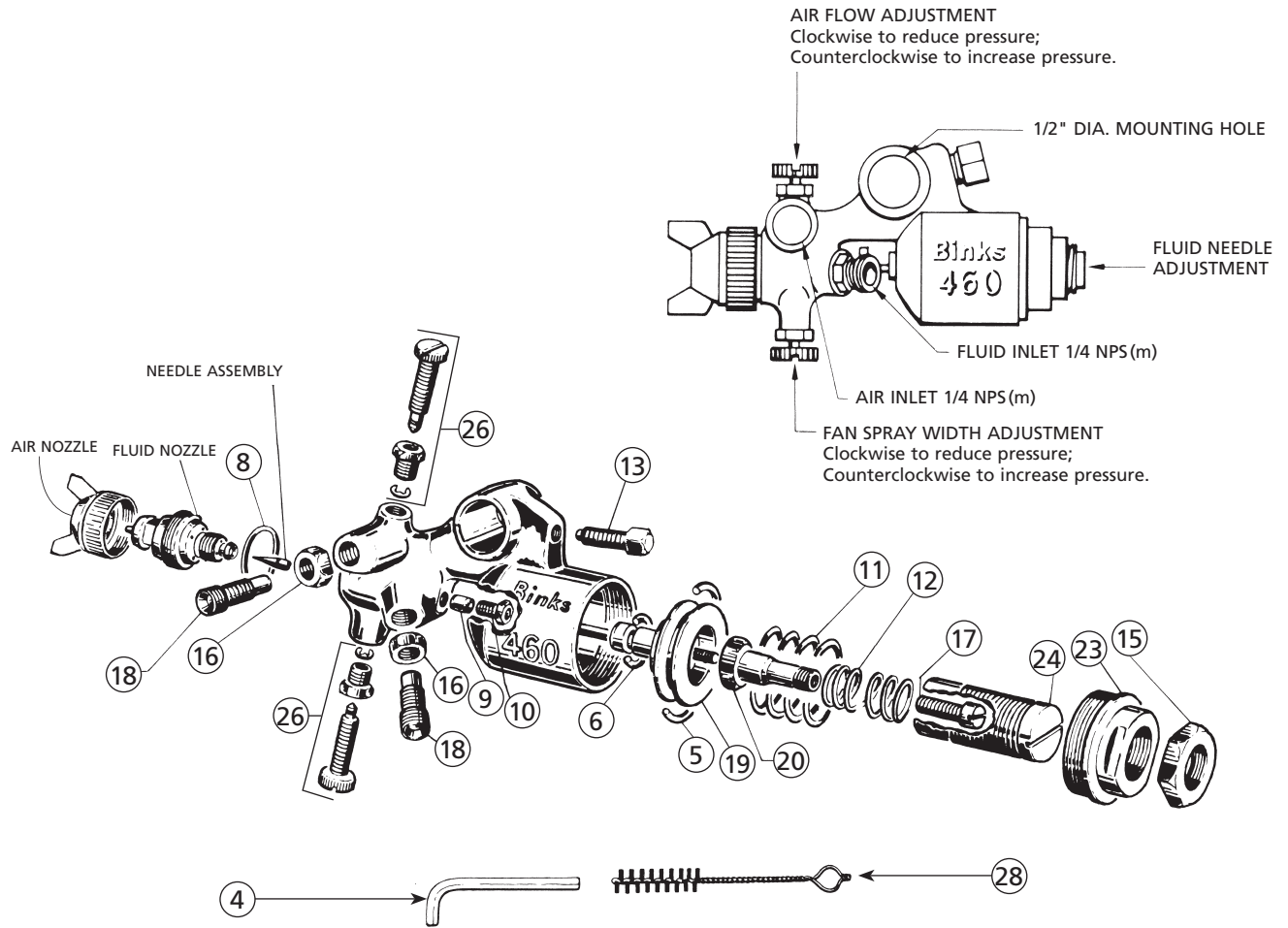
PROP 65 WARNING

WARNING: This product contains chemicals known to the State of California to cause cancer and birth defects or other reproductive harm.

IT IS THE RESPONSIBILITY OF THE EMPLOYER TO PROVIDE THIS INFORMATION TO THE OPERATOR OF THE EQUIPMENT. FOR FURTHER SAFETY INFORMATION REGARDING THIS EQUIPMENT, SEE THE GENERAL EQUIPMENT SAFETY BOOKLET (77-5300).

Binks reserves the right to modify equipment specification without prior notice.

Binks MODEL 460 LIGHTWEIGHT AUTOMATIC SPRAY GUN



PARTS LIST

When ordering, please specify Part No.

ITEM NO.	PART NO.	DESCRIPTION	QTY.	ITEM NO.	PART NO.	DESCRIPTION	QTY.
1	—	AIR NOZZLE	1	13	—	5/16" – 24 CUP POINT SET SCREW 1/2" LONG	1
2	—	FLUID NOZZLE	1	15	54-2868	LOCKNUT	1
3	—	NEEDLE ASSEMBLY	1	16	54-2869	LOCKNUT	2
4	—	WRENCH, 7/32 HEX	1	17	54-2870	SCREW	1
5	20-2111 •	O-RING	1	18	54-2871	CONNECTOR	2
6	20-3236 •	O-RING	1	19	54-2872	PISTON	1
8	54-2209 •	GASKET	1	20	54-2873	SPIGOT	1
9	54-2292 •	PACKING	1	23	54-2876	COVER	1
10	54-2294 •	SCREW	1	24	54-2877	SCREW	1
11	54-2860 •	SPRING	1	26	54-2879	SIDE PORT CONTROL	2
12	54-2861 •	SPRING	1	28	OMX-88	GUN BRUSH	1

• 6-1302 Repair Kit (kit includes Items 5, 6, 8, 9, 10, 11 & 12)

INSTALLATION, OPERATION & MAINTENANCE

GUN MOUNTING

A hexagon screw (13) will secure the spray gun to the 54-380 gun mounting rod. For special mountings, a 1/2" dia. rod will fit the hole in the top of the gun body.

HOSE LENGTH

Install minimum hose length from valve to gun to minimize time required for "off-on" response of gun.

CONNECTIONS

The air connection and fluid connection are both 1/4 NPS. The air connection is stamped "a".

AIR SUPPLY

Since the gun has its own control, atomizing air may be taken directly from the main line. However, if regulated air is used, 50 PSI minimum is required to actuate gun fluid valve piston. When rapid "off-on" operation is required, use a 3-way valve which exhausts to atmosphere, in place of a 2-way valve.

SPRAY PATTERN

The width of spray pattern is controlled by the control assembly (26). Vertical or horizontal position of the spray is obtained by rotating the air nozzle.

ATOMIZATION

Air volume to the nozzle is controlled by the control assembly (26) located adjacent to the air inlet connection.

FLUID CONTROL

The rate of fluid flow is controlled by a combination of the selection of the correct nozzle orifice size and adjustment of fluid pressure. The maximum fluid flow rate is approximately 8 fluid ounces per minute. Fine adjustment of the fluid flow can be obtained by controlling the travel of the needle valve. Clockwise rotation of the screw (24) decreases the needle travel and counterclockwise rotation increases the travel. The locknut (15) is used to lock the screw (24) after adjustment.

FAULTY SPRAY

Caused by improper cleaning, or dried fluid on nozzle tip or in the air nozzle. Soak these parts in solvent to soften the dried fluid and remove with a brush or cloth.

CAUTION

Never use metal instruments to clean air or fluid nozzles. These parts are carefully machined and any damage to them will cause a faulty spray.

If either air nozzle or fluid nozzle is damaged, the part must be replaced before a perfect spray can be obtained.

SPITTING

To eliminate spitting and dripping, turn on atomizing air before turning on fluid.

NEEDLE ADJUSTMENT

The correct setting is to allow approximately 1/16" piston travel before contacting NEEDLE. Adjustment is made by loosening the screw (17) on rear of needle and rotating the spring guide (20) either forward to reduce or back to increase clearance.

AIR LEAKAGE INTO AIR CYLINDER VENT

Remove piston (19) and inspect for dirt or damage to large o-ring (5). Clean piston and cylinder. Replace o-ring if necessary. Lubricate with white petroleum jelly.

AIR LEAKAGE AT FLUID NEEDLE

Remove piston (19) and inspect for dirt or damage to small o-ring (6). Replace if necessary.

FLUID LEAKAGE AT PACKING GLAND

Tighten screw (10) and slightly "back-off" screw to set packing. If leakage continues, replace packing.

CLEANING THE GUN

Under no circumstances should the complete gun be immersed in thinners or solvents.

Binks MODEL 460 GUN FLUID NOZZLE, NEEDLE & AIR CAP SELECTION CHART

Fluid Nozzle	Orifice Size	Fluid Needle	Air Nozzle	Approx. Air Consumption SCFM with Specific Dynamic Air Pressure (PSI) at air cap			Type of Spray Pattern	*Max. Spray Pattern Size @ 5" Distance
				30 PSI	50 PSI	70 PSI		
J920SS (PN 45-84)	.020" (.5 mm)	940 (PN 47-454)	J92P (PN 46-131)	6.4	8.5	10.5	ELLIPSE / STRAIGHT SIDES	6"
J930SS (PN 45-85)	.030" (.75 mm)	940 (PN 47-454)	J92P (PN 46-131)	6.4	8.5	10.5	ELLIPSE / STRAIGHT SIDES	7.5"
J940SS (PN 45-86)	.040" (1.0 mm)	940 (PN 47-454)	J92P (PN 46-131)	6.4	8.5	10.5	ELLIPSE / STRAIGHT SIDES	8"
J940SS (PN 45-86)	.040" (1.0 mm)	940 (PN 47-454)	J92R (PN 46-126)	4	6	8	ROUND	2"
K960SS (PN 45-87)	.060" (1.5 mm)	960 (PN 47-455)	K92P (PN 46-134)	7.2	10.6	14	ELLIPSE / STRAIGHT SIDES	9.5"

*Spray pattern for reference only. Pattern size will vary slightly with flow and viscosity of the materials.

NOTES

NOTES

NOTES

WARRANTY POLICY

Binks products are covered by Finishing Brands one year materials and workmanship limited warranty. The use of any parts or accessories, from a source other than Finishing Brands, will void all warranties. For specific warranty information please contact the closest Finishing Brands location listed below.

Finishing Brands reserves the right to modify equipment specifications without prior notice. DeVilbiss®, Ransburg®, BGK®, and Binks® are registered trademarks of Carlisle Fluid Technologies, Inc., dba Finishing Brands. ©2015 Carlisle Fluid Technologies, Inc., dba Finishing Brands. All rights reserved.



Binks is part of Finishing Brands, a global leader in innovative spray finishing technologies. For technical assistance or to locate an authorized distributor, contact one of our international sales and customer support locations below.

USA/Canada

www.binks.com
info@finishingbrands.com
Tel: 1-800-992-4657
Fax: 1-888-246-5732

Mexico

www.finishingbrands.com.mx
sales@finishingbrands.com.mx
Tel: 011 52 55 5321 2300
Fax: 011 52 55 5310 4790

Brazil

www.devilbiss.com.br
sales@devilbiss.com.br
Tel: +55 11 5641 2776
Fax: 55 11 5641 1256

United Kingdom

www.finishingbrands.eu
info@finishingbrands.eu
Tel: +44 (0)1202 571 111
Fax: +44 (0)1202 573 488

France

www.finishingbrands.eu
info@finishingbrands.eu
Tel: +33(0)475 75 27 00
Fax: +33(0)475 75 27 59

Germany

www.finishingbrands.eu
info@finishingbrands.eu
Tel: +49 (0) 6074 403 1
Fax: +49 (0) 6074 403 281

China

www.finishingbrands.com.cn
mkt@finishingbrands.com.cn
Tel: +8621-3373 0108
Fax: +8621-3373 0308

Japan

www.ransburg.co.jp
binks-devilbiss@ransburg.co.jp
Tel: 081 45 785 6421
Fax: 081 45 785 6517

Australia

www.finishingbrands.com.au
sales@finishingbrands.com.au
Tel: +61 (0) 2 8525 7555
Fax: +61 (0) 2 8525 7500

